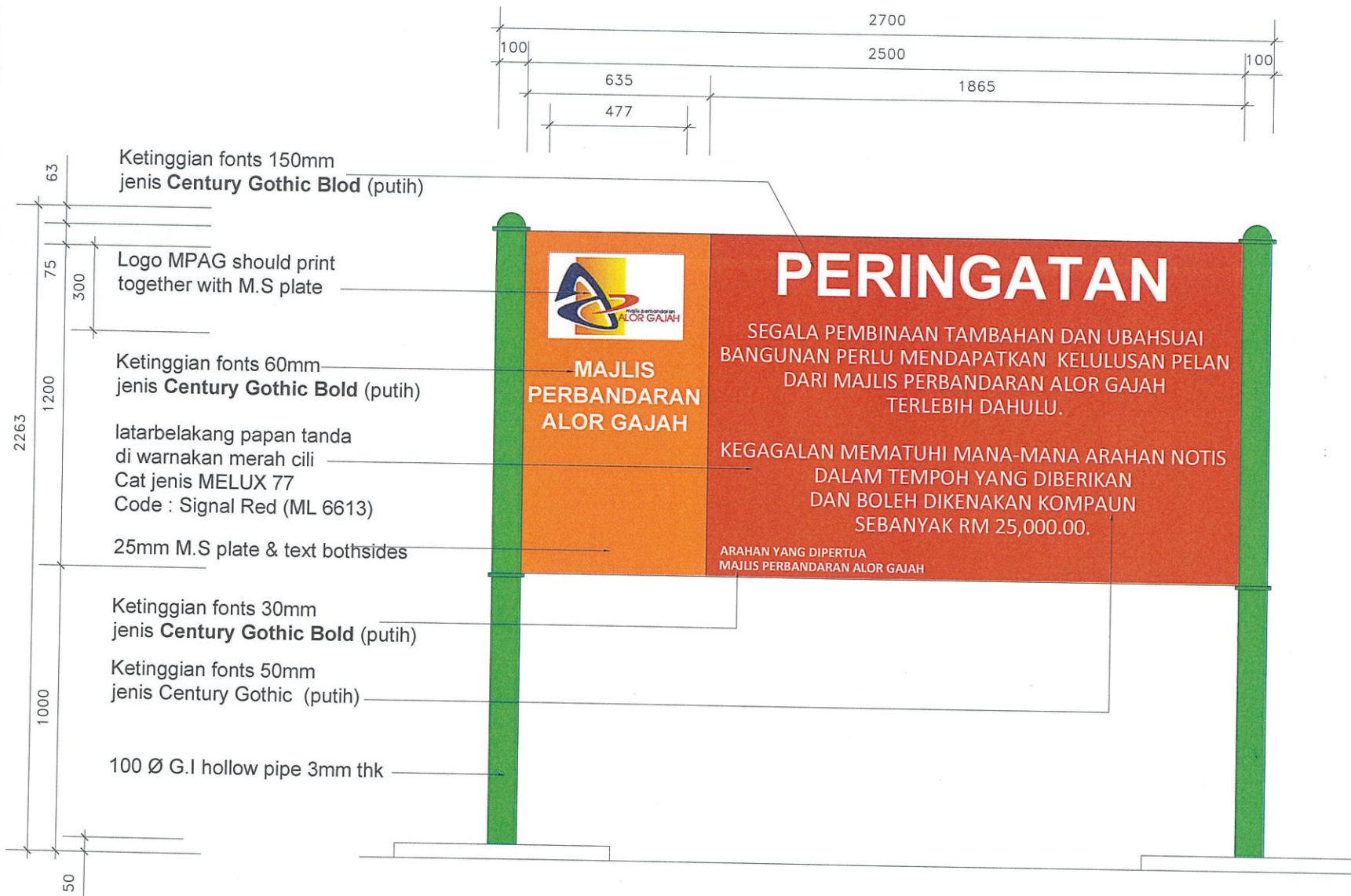


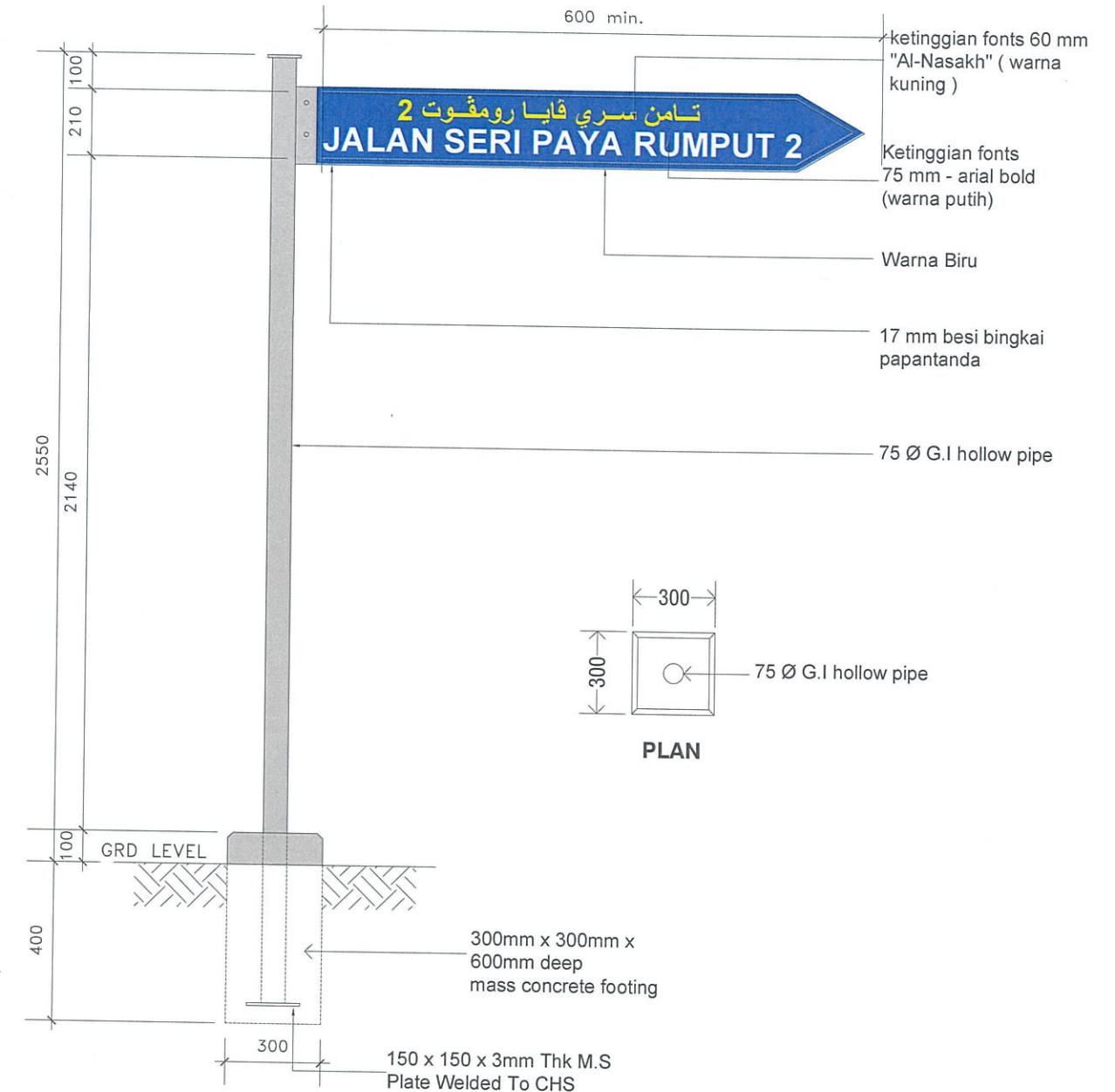
NOTA BAGI KOD WARNA

WARNA	JENIS BAHAN
Biru	Higt Intensity Prismatic Retro-Reflective Sheeting
Putih	(Seperti didalam arahan Teknikal Jalan oleh JKR.)
Hitam	-ATJ 2E/87 PINDAAN 2011



PAPAN TANDA PERINGATAN

SCALE 1: 75



PAPAN TANDA NAMA JALAN

SCALE 1: 75

Revision



This drawing remains the property of MAJLIS PERBANDARAN ALOR GAJAH (MPAG). It is subject to MPAG recall and must not be reproduced in a part or whole or its contents divulged to third parties without prior written consent of MPAG.

Designed : SUGIMAN

Drawn: HELMI

Checked : SUGIMAN

Approved: SUGIMAN

Scale 1 : 75

Date: SEPTEMBER 2020

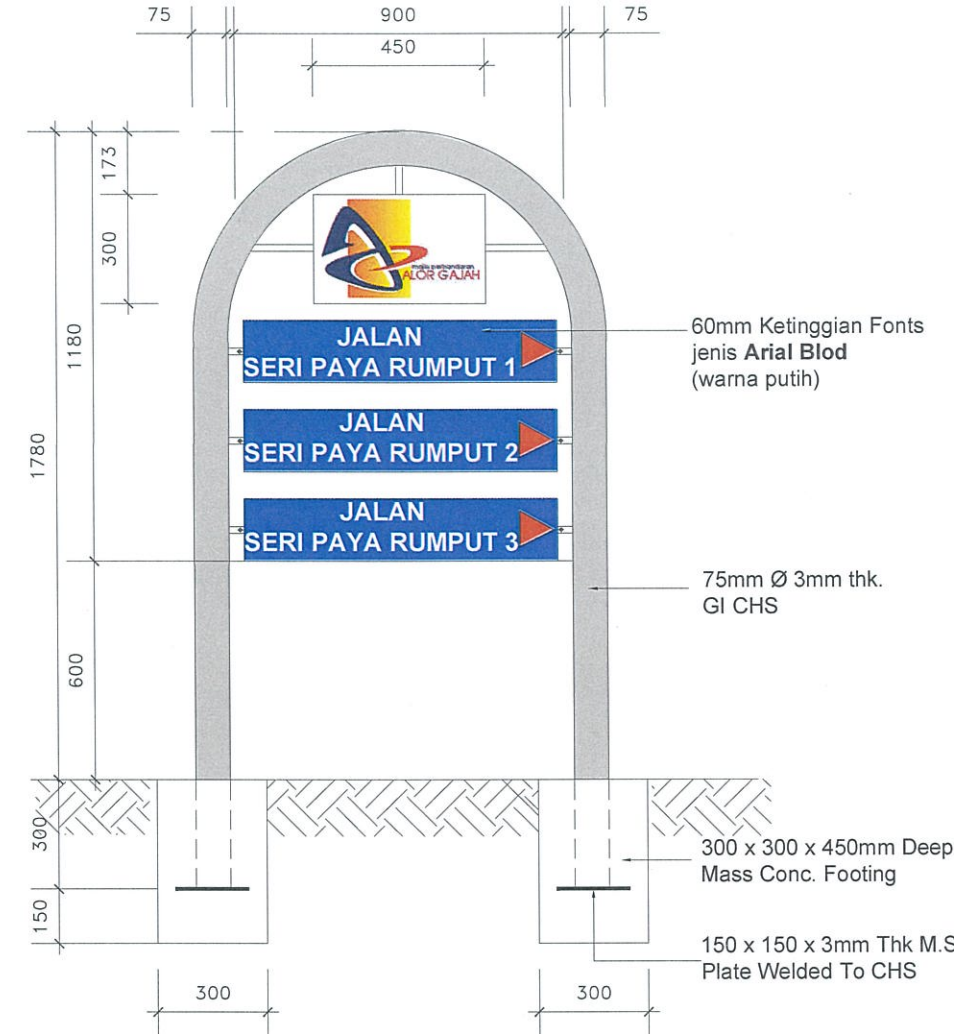
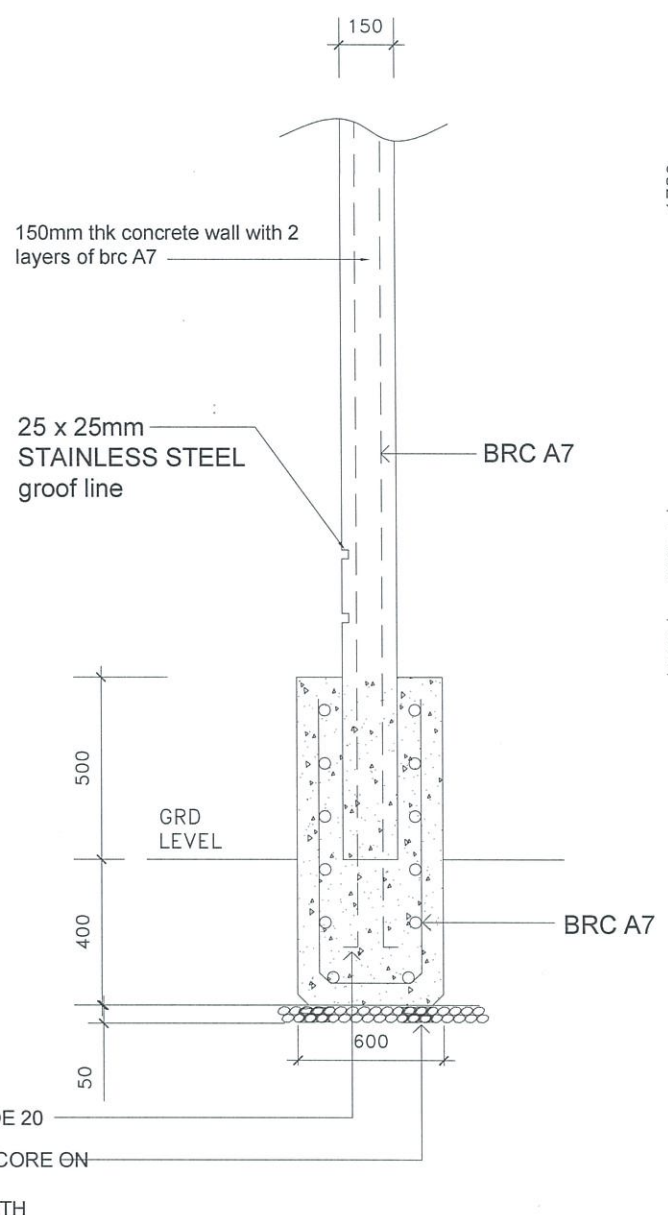
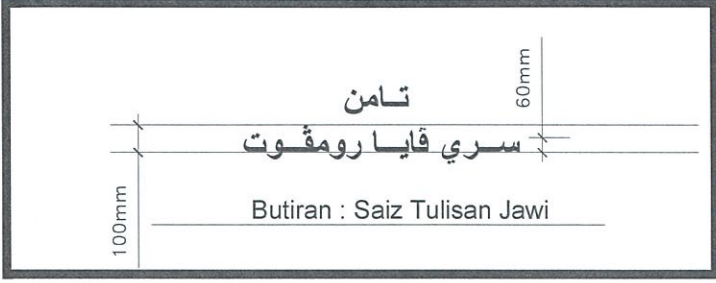
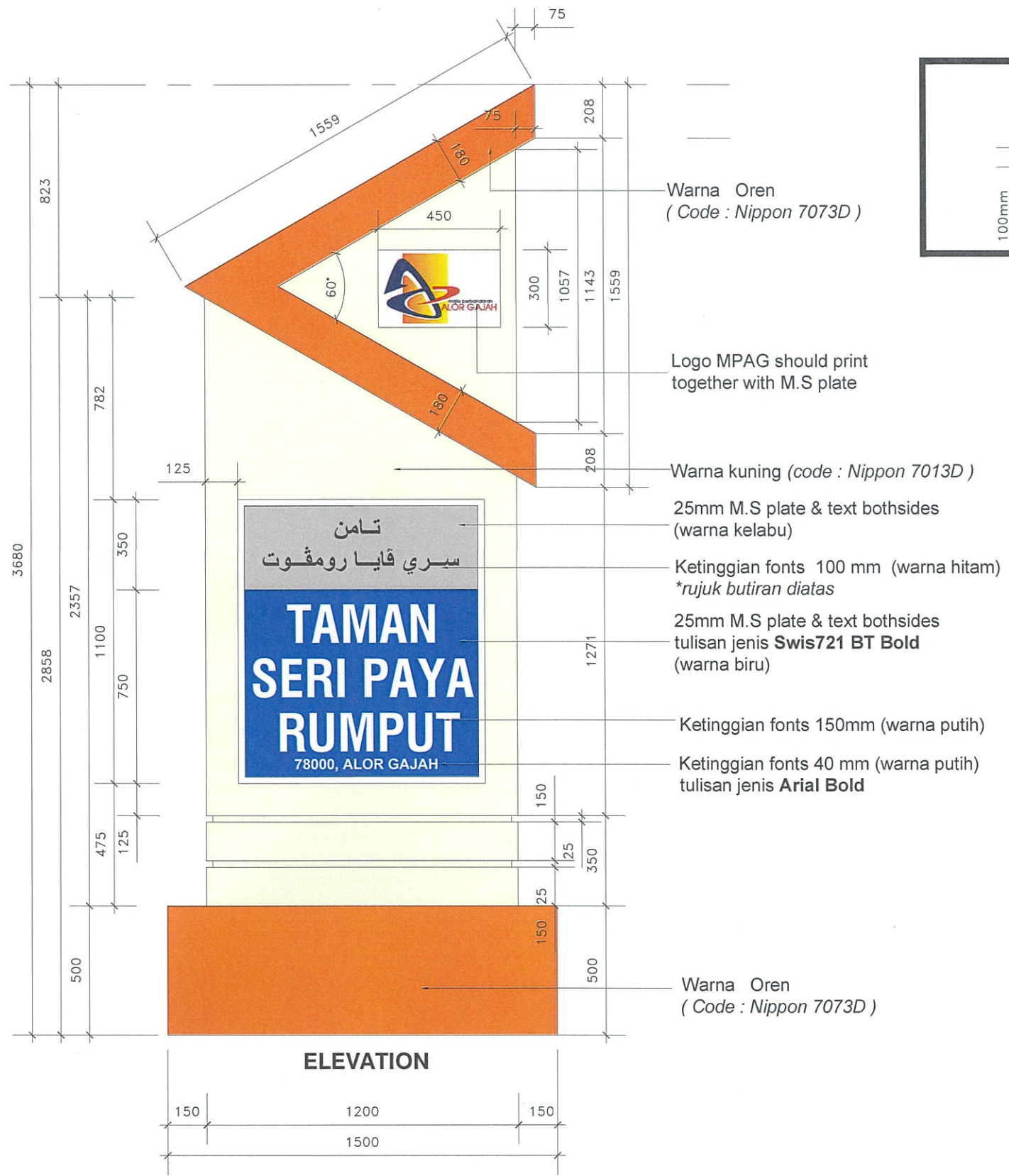


Majlis Perbadaran Alor Gajah
Jalan Dato' Dol Said, 78000 Alor Gajah
Tel : 06-556 1010, 556 2575, 556 1600
Fax : 06-5564909
Email : mpag@mpag.gov.my
Web : www.mpag.gov.my

PROJECT : CADANGAN MEMBINA PAPAN TANDA NAMA JALAN & PERINGATAN DI DAERAH ALOR GAJAH, MELAKA,

SHEET TITLE : STANDARD DETAILS

DRAWING NO:



NOTA BAGI KOD WARNA

WARNA	JENIS BAHAN
Biru	Higt Intensity Prismatic Retro-Reflective Sheeting (Seperti didalam arahan Teknikal Jalan oleh JKR.) -ATJ 2E/87 PINDAAN 2011
Putih	
Kelabu	
Hitam	

PAPAN TANDA NAMA TAMAN

SCALE 1: 75

Revisions:

This drawing remains the property of MAJLIS PERBANDARAN ALOR GAJAH (MPAG). It is subject to MPAG recall and must not be reproduced in a part or whole or its contents divulged to third parties without prior written consent of MPAG.

Designed : SUGIMAN
 Drawn: HELMI
 Checked : SUGIMAN
 Approved: SUGIMAN
 Scale 1 : 75
 Date: SEPTEMBER 2020

Majlis Perbandaran Alor Gajah
 Jalan Dato' Dol Said, 78000 Alor Gajah
 Tel : 06-556 1010, 556 2575, 556 1600
 Fax : 06-5564909
 Email : mpag@mpag.gov.my
 Web : www.mpag.gov.my

PROJECT : CADANGAN MEMBINA PAPAN TANDA NAMA TAMAN DI DAERAH ALOR GAJAH, MELAKA,
 SHEET TITLE : STANDARD DETAILS

DRAWING NO: